

PLUG & PLAY WITH IO-LINK

MVK Metal and Impact67

Murrelektronik's new compact IO-Link modules are the smartest way to connect Ethernet/IP IO-Link devices.

An easy-to-use configuration tool helps decrease installation and maintenance time for these devices. Combine these modules with Murrelektronik's variety of IO-Link hubs and analog converters to increase flexibility and reduce hardware costs.



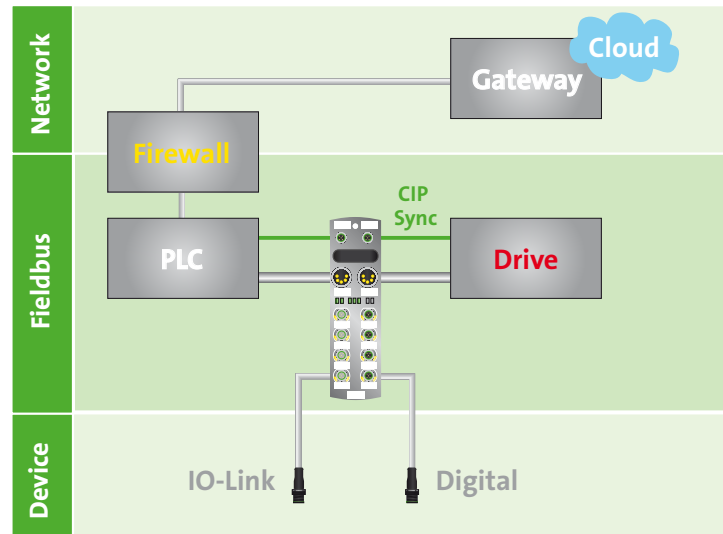
EtherNet/IP™
IO-Link

Multifunctional M12 Ports: Digital I/Os or IO-Link

Up to 4 Class B IO-Link Ports

Quick Connect ($\leq 360\text{ms}$)

Adjustable I/O Length



MVK Metal

- Higher EMC Immunity
- Weld Spark Resistant
- Vibration and Shock Resistant
- Resistant to Coolants and Lubricants

Impact67

- Same functional ports/performance in a lower cost housing
- Web server with integrated configuration tool
- Detailed diagnostic information available via LEDs and web server
- Fully Potted

High Performance

- Ethernet/IP QuickConnect (QC)
- Ethernet/IP Device Level Ring (DLR)
- ODVA CT14 compliant
- Simultaneous connection to multiple controllers

Multifunctional M12 ports




- IO-Link/DI/DO configurable channels
- Auto-configuration for standard I/O channels
- 1A per IO-Link port
- 1.6A per output

IO-Link Device Configuration

- IO-Link configuration tool for easy configuration of IO-Link devices
- Storage function allows IO-Link devices to be replaced without any additional tools

High Flexibility

- Combine with Murrelektronik's IO-Link/analog converters to cover analog signals
- Covers up to 76 digital signals when combined with Murrelektronik IO-Link hubs

						
	MVK Metal			Impact67		
	DIO16 4P	DIO14 DIO2/IOL2 4P	DIO12 DIO4/IOL4 4P	DIO16 4P	DIO14 DIO2/IOL2 4P	DIO12 DIO4/IOL4 4P
Article Number	55542	55543	55544	55142	55143	55144
Technical Data						
Device Level Ring	Yes, beacon-based ring node					
QuickConnect Support	Yes					
Multiple Connections	Yes, ! exclusive owner and 2 listen-only connections					
Multifunctional Channels	M12 Ports					
Power	7/8" 4-pole (max. 9A for sensor and 9A for actuator supply)					
Digital Inputs	Acc. to EN 61131-2, Type 3 (220mA), single channel protection					
Digital Outputs	Max. 1.6A per output cycle frequency max. 50Hz, single channel protection					
IO-Link	V 1.12/EN 61131-2 Type 1. Com1/Com2/Com3, automatic startup, up to 1A load					
IO-Link 1.1 Class B Port		Max. 2 (X6, X7)	Max. 4 (X4, X5, X6, X7)		Max. 2 (X6, X7)	Max. 4 (X4, X5, X6, X7)
Shock (EN 60068 Part 2-27)	50g			15g		